

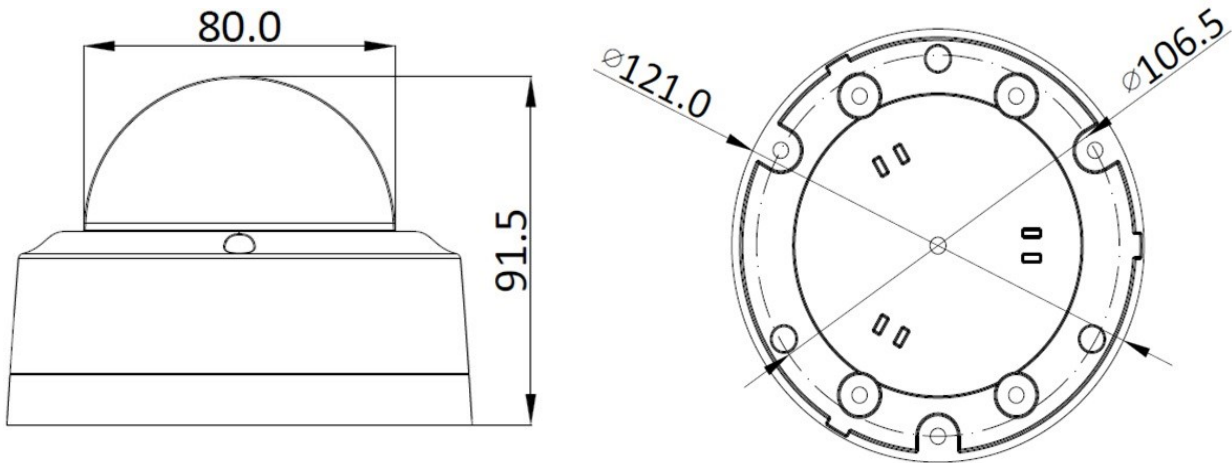
H.265 VIDEO ANALYSIS 2M IP IR VANDAL DOME CAMERA - VVK-NV224F

Key Features

- Sony Exmor CMOS 1/2.8" Image Sensor
- H.264/H.2645/MJPEG Video Compression
- 2.9mm Fixed Lens with ICR
- 1920x1080p@30fps
- VBR, CBR
- 2D, 3D DNR, DWDR(Digital-WDR), BLC
- Motion Detection Max. 4 Area
- Privacy Function 8 Programmable Zones
- PoE Support IEEE802.3af Class 0
- ONVIF Conformance Support
- IP66 Weather Proof
- Video Analysis



Dimension



Specification

MODEL		VVK-NV224F
Camera	Image Device	Sony Exmor CMOS 1/2.8" Image Sensor
	Effective Pixels	(H)1960 x (V)1120 2.15 Mega Pixels
	S/N Ratio	51dB
	Scanning System	Progressive Scan
	Privacy Zone	On / Off (8 Area Selection)
	Smart Motion Detection	On / Off (4 Area Selection)
	Pan/ Rotation	Pan: 350°, Rotation: ±175°(0° to 350°)
	Day & Night	Automatic, Day, Night
	DNR	2DNR, 3DNR
	WDR	Digital WDR (ATR-EX)
	High Speed Shutter	Automatic: Min. 1/135,000 sec ~ Max. 1/60 sec Manual: Min. 1/10,000 sec ~ Max. 1/10 sec
	Gain Control	Automatic: Min. 1.2dB ~ Max. 54dB Manual: Min. 1.2dB ~ Max. 54dB, Default 1.2dB
	White Balance	ATW-Indoor/Outdoor, Shade, Clear sky, Fluorescent light, Light bulb, Flame, Manual
	Language	ENGLISH/ VIETNAMESE
Digital Zoom	16x	

	Lens Type	2.9mm Fixed Lens
	Horizontal Viewing Angle	Horizontal: Approx. 114°, Vertical: Approx.62°
	F-Number	F1.9
	Mount Type	Board Mount Type
General	Power Input	DC 12V ± 10% / 1000mA
	Power Consumption	DC 12V / 6W(500mA)
	Operating Temperature	- 10 °C ~ +50 °C
	Storage Temperature	- 20 °C ~ +60 °C
	Operating Humidity	Less than 90%
	Dimension	80(Φ) × 91.5(H) x 121(D)mm
	Weight	Approx. 480(g)
Hardware	Ethernet Interface	Ethernet 10/100 Base-T (RJ-45)
	PoE Support	IEEE802.3af Class 0
Video	Video Compression	H.264(High/ Main/ Base line profile) /H.265(High/ Main/ Base line profile) /MJPEG
	Resolution	1920x1080(Full-HD),1280x1024(SXGA), 1280x720(HD),704x480(4CIF/NT), 704x576(4CIF/PAL),640x480(VGA), 320x184(QVGA)
	Max. Framerate	Up to 30fps@1920 x 1080p
	Streaming	H.264/H.265 (High/Main/Baseline Profile)/MJPEG (Multi Streaming) Full duplex, triple streaming
	Image Analysis	Detect objects moving in the opposite direction. Detect objects appearing in prohibited areas. Detect objects moving away from the observed areas
Network / Protocol	IP	IPv4
	Protocol	TCP, UDP, IPv4, IPv6, HTTP, HTTPS, FTP, UPnP, RTP/RTCP, RTSP, DHCP, ARP, Zeroconf, ICMP, IGMP*, DNS, NTP, SMTP, SNMP
	Streaming Method	RTP over RTSP, Unicast RTP, Multicast RTP
	ONVIF Conformance	Ver2.4
	DDNS Support	Yes
etc.	FTP Uploading	MJPEG Still Image
	Event In	Onboot/Trigger/Network Loss/Tampering/Motion
	Event Out Notification	E-mail, FTP
	Login Authority	Administrator, Operator, Guest
	Event Buffering	FTP : Pre/Post Event Time: 0~30sec, FPS: 1~2 fps
	Manual Trigger	Still Image Capture
	Security	Multi User Authority, IP Filtering, HTTPS
	Network Time Sync	Synchronize Computer/NTP Server, Manual
	Software Reset	Restart, Reset, Factory Default
	Auto Recovery	Backup, Restore
	Web Browser	Microsoft Internet Explorer, Firefox, Safari, Opera
	Max. User Connection	10 Users
SDK Support	API, ONVIF Profile S Compliant	

* Design and specifications are subject to change without notice.

www.vivako.com