

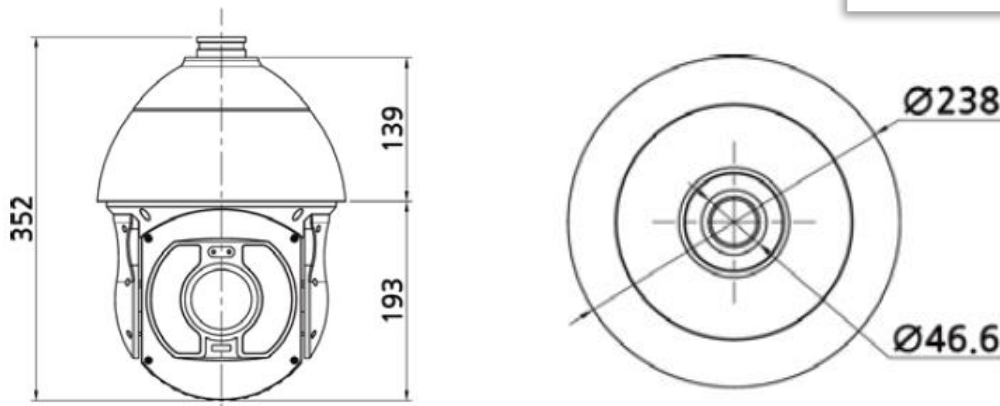
## 2M 30X ZOOM IP IR NETWORK OUTDOOR PTZ CAMERA

### Key Features

- 1/3" PS-CMOS 2M IP IR PTZ Camera
- 1080p@30fps frame rate, H.264 Compression with Ambarella Codec
- Optical 30x Zoom, Digital 32x Zoom, Auto Focus
- Day & Night with ICR, Low up to 0.003Lux with DSS(x32), LED On: 0Lux
- WDR(120dB), 3D DNR, Digital Image Stabilizer
- Motion Detection, Privacy Masking (8), Defog, Time Schedule
- Preset(250), Group(12), Tour, Trace, Alarm(1/1), Dehumidification
- Max. IR Distance 250M (10pcs High Power LEDs + 4pcs Laser LEDs)
- Outdoor Type, Fan/Heater
- IP66



### Dimension



### Specification

Model		VVK-NP014SE
Video	Image Sensor	1/3" 2Mega Panasonic CMOS
	Scan mode	Progressive Scan
	Total number of pixels	1,956(H) x 1,266(V), 2.48M Pixels
	Number of active pixels	1,944(H) x 1,092(V), 2.12M Pixels
	Resolution	1080P
	Minimum illumination	Color : 0.004Lux , BW : 0.001Lux Min. 0.003Lux with DSS(32x), LED On:0Lux
	S/N Ratio	50dB
Lens	Lens	4.3~129mm(F1.6~F4.7), Optical(30x), Digital Zoom(32x), Total Zoom (960x)
	Focus mode	Auto / Manual / Oneshot
	Angle of view	D:71.3°~2.58°, H:58.9°~2.11°, V:45.3°~1.61°
Network	Hardware	Flash (32Mbyte), RAM (256Mbyte)
		Ethernet:RJ-45(10/100BASE-T)
	Video Output	Channel 1ch (CVBS)
		Compression H.264 & MJPEG Dual Codec
		FULL HD(1920X1080),HD(1280X720P), VGA(640X480),QVGA(320X240)
		Max. Frame rate 30/25 fps
	Bitrate control : CBR or VBR(64K~12Mbps)	
	Audio	Audio In(1), Audio Out(1),8 bit PCM (G711 u-law) 8Khz, Mono
	Memory Slot	SD/SDHC Memory Slot
	Event	Alarm / Motion Detection : E-mail, FTP, Event, Noti- Service
Recording	Manual / Schedule / motion Detection / Sensor Event	
Client Viewer	Web viewer, CMS, Max-i	
Network Protocol	HTTP, TCP/IP, UDP, ARP, ICMP, RTP/RTSP/ DHCP, Telnet, FTP, ,NTP DDNS, SMTP, UPNP, PPPoE, Onvif, PSIA	

Pan/ Tilt	Pan/Tilt angle	360° Endless / -10°~ 92°
	Pan Speed	0.1° ~ 120°/sec (64 Levels), Preset: 240°/sec
	Preset point	250 Presets
	Alarm in/out	1 Inputs / 1 Relay Output
Function	Day & Night	Day / Auto Slow / Auto fast / Night
	Back Light	Off / WDR / HLC / BLC
	White Balance	ATW / Auto/ Indoor / Outdoor
	DNR	Off / Low / Middle / Max / Auto
	Privacy / Motion	8 Zones / 1 Zones
	Color Level	Level Setting
	Stibilize	On/Off
	Defog	Off/Auto/Manual
Environment	IR Distance	Max. 250m: 10pcs High Power LEDs+4pcs Laser LEDs
	Operating Humidity	30 % ~ 90 % RH
Electrical	Operating Temp	- 50°C to 50°
	Power Consumption	Max 42W
Mechanical	Power Supply	AC24V, 50/60Hz
	Construction	Aluminum body(Ivory/Black) & Plastic Window(Black)
	Dimension	238mm(W)X352(H)mm
	Weight	About 5Kg (Camera Only)

\* The specifications are subject to change without prior notice.

[www.vivako.com](http://www.vivako.com)