

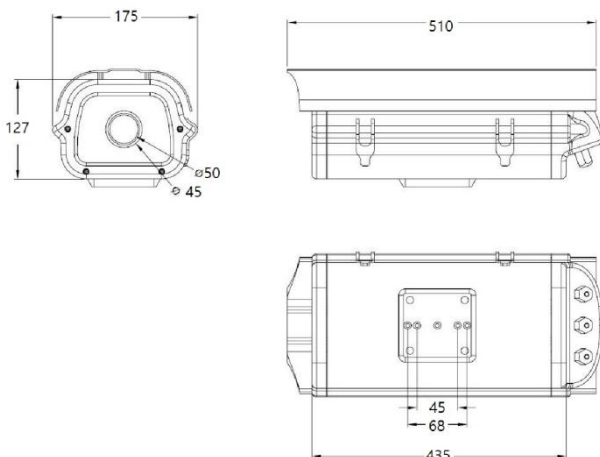
H.265 5M IP Car Identification Camera VVK-NH516VZIR



Feature

- 1/2.8" 5.69M Sony Image Sensor IMX335
- 2.8~12mm or 5-50mm DC Auto Iris Filter Removable
- Digital Noise Reduction -2D,3D
- WDR
- Privacy Zone
- Motion Detection
- D-fog
- High power Infrared LED x 16pcs (740nm)
- ONVIF Profile S
- Motorized Zoom Lens

Dimension



Specification

Camera	
Image Sensor	1/2.8" 5.69M Sony Image Sensor IMX335
Effective Pixels	2704(H) X 2104(V), 5.69 Mega Pixels
Scanning System	Progressive Scan
Privacy Mask	On / Off (4 Area Selection)
Motion Detection	On / Off
Electronic Shutter	Automatic: Min. Manual: Min. 1/30 sec ~ Max. 1/30,000 sec
Language	•Korean •English •Japanese •French •Germany
IR LED	High Power IR LED(740nm) × 16pcs
WDR	DOL True-WDR
White Balance	Manual / Auto / Daylight / Cloudy / Tungsten / Sunset
Visibility Range	30~40M
Lens Type	2.8~12mm or 5~50mm Mega Pixel Lens
Power Supply	AC220V
Power Consumption	Max.60W
Operating Temp.	-10 °C ~ +50 °C
Operating Humidity	Less than 90%
Dimension	175(W) × 127(H) x 510(D)mm
Weight	Approx. 4,100(g)

Alarm(Optional)

In / Out	1 TTL inputs and 1 TTL output
----------	-------------------------------

Video

Resolution	2592x1944 (5M), 2592x1520 (4M), 2592x1458 (3.8M), 2304x1296 (3M), 1920x1080 (HD1080), 1280x720 (H720), 1024x768 (XGA), 960x540 (960H), 854x480 (WVGA), 640x480 (VGA), 640x360 (NHD), 352x240 (CIF)
Max. Frame rate	Up to 30fps@2592x1944p
Video Compression	H265, H264, Motion JPEG

Audio(Optional)

Audio	Line In / Line Out
-------	--------------------

General

IP	IPv4
Protocol	TCP/IP, HTTP, RTP/RTSP,UDP, DHCP, FTP, SMTP, NTP, ARP, ICMP, DDNS, ONVIF
ONVIF	Yes

※ Design and specifications are subject to change without notice.