

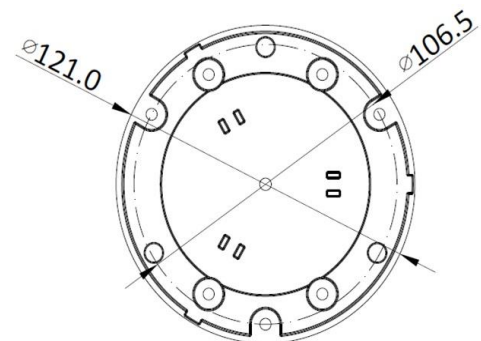
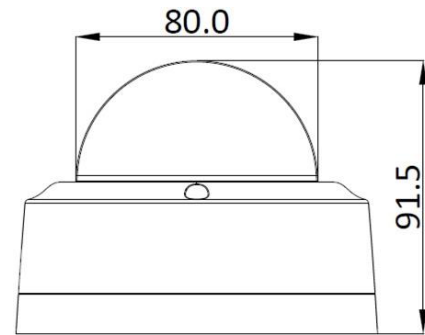


# 2M H.265 IP DOME CAMERA VVK-NV335F



## Key Features

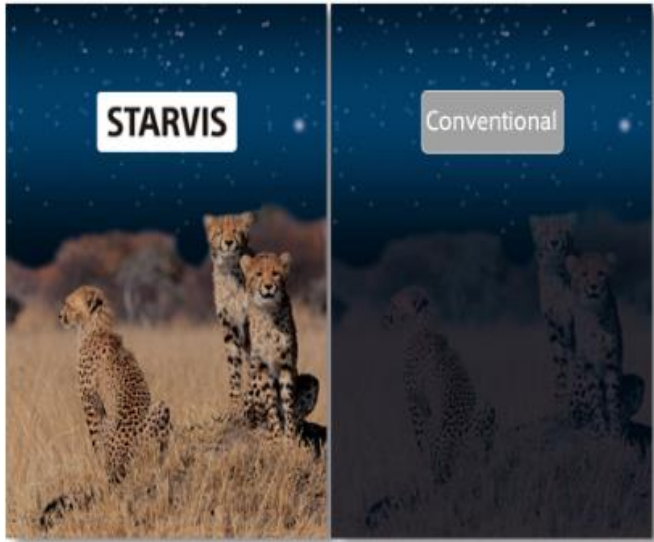
- ✓ Sony Exmor CMOS 1/2.8" Image Sensor
- ✓ H.265/H.264/MJPEG Video Compression
- ✓ 2.9mm Lens with electronic Varifocal technology, 2.8 -12mm Varifocal Lens (optional)
- ✓ 1920x1080p@30fps
- ✓ DOL True-WDR
- ✓ Intelligent Motion Detection
- ✓ Privacy Function 8 Programmable Zones
- ✓ Enhanced 2D/3D-DNR(Digital Noise Reduction)
- ✓ **Image Analysis function**
- ✓ VBR, CBR
- ✓ PoE Support IEEE802.3af Class 0
- ✓ ONVIF Conformance Support
- ✓ IP66 Weather Proof



# Technology



## 2M 1/2.8" SONY STARVIS SENSOR



### STARVIS

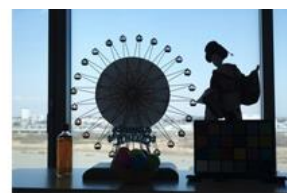
The STARVIS is back-illuminated pixel technology used in CMOS image sensors for surveillance camera applications. It realizes high picture quality in the visible-light and near infrared light regions.

## True DOL WDR

It adopts DOL-HDR technology that has been upgraded from the existing WDR. DOL-HDR stands for Digital Overlap High Dynamic Range which is an image processing technology for high contrast subjects. In order to display both bright and dark data at the same time, different exposure conditions are combined into a single image, providing clear images in backlight mode for bright light.



DOL-HDR Image



Short Exposure

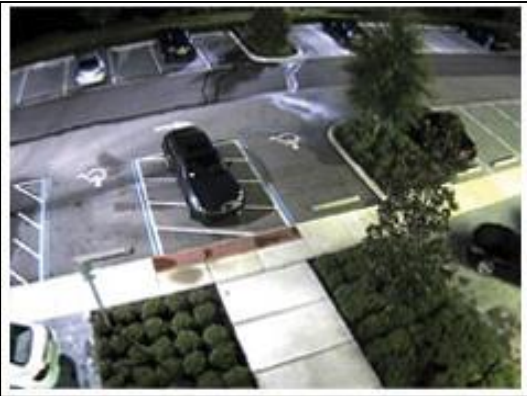


Long Exposure

## 3D DNR(Digital Noise Reducer)

The DNR function is an essential function when monitoring a noisy night video.

The 3D DNR function is upgraded from the existing 2D DNR function to provide clear image in the night time.



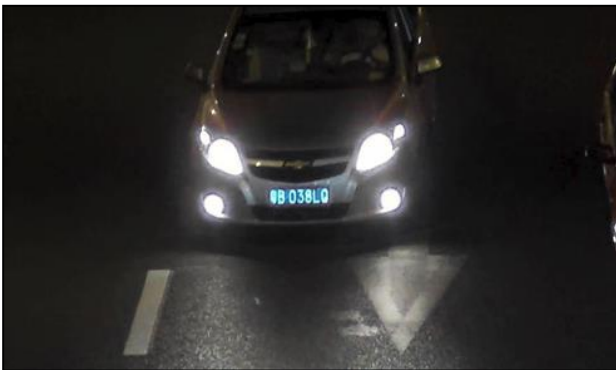
**3D DNR**



**Conventional**

## HLC(High Light Compensation)

HLC stands for highlight compensation, camera can detect the strong spots (the over-exposure portion of image), then reduce the brightness of the strong spots to improve the overall images. This function is designed to allow camera capture vehicle plate license.



**HLC ON**



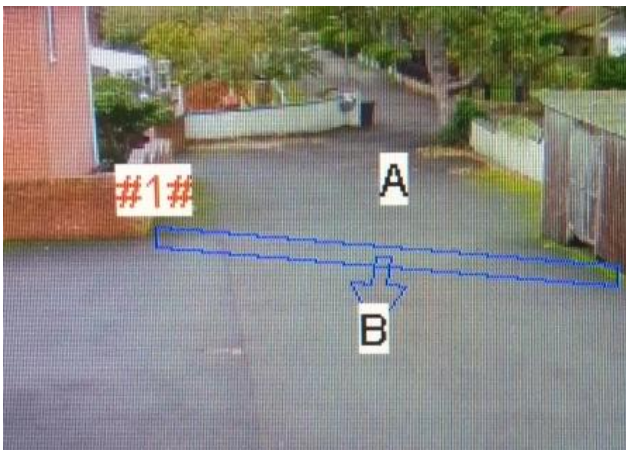
**HLC OFF**

# Image Analysis function

**Line cross:** Detect objects crossing the fence.

**Field intrusion:** Detect objects appearing in prohibited areas.

**Appear/ Disappear:** Detect objects appearing or disappearing from the observation areas.



# Specification



MODEL		VVK-NV335F
Camera	Image Device	Sony Exmor CMOS 1/2.8" Image Sensor
	Effective Pixels	1,945(H) x 1,097(V) approx. 2.13M pixels
	S/N Ratio	51dB
	Scanning System	Progressive Scan
	Privacy Zone	On / Off (8 Area Selection )
	Motion Detection	Intelligent Motion Detection
	Day & Night Observation	Automatic, Day, Night
	DNR	Yes, 2D-DNR, 3D-DNR enhanced technology
	WDR	DOL True-WDR
	High Speed Shutter	Automatic: Min. 1/10,000 sec ~ Max. 1/30 sec Manual: Min. 1/10,000 sec ~ Max. 1/30 sec
	Gain Control	Min. 1.2dB ~ Max. 54dB , Default 1.2dB
	White Balance	ATW-Indoor/Outdoor, Shade, Clear sky, Fluorescent light, Flame, Manual
	Language	•ENGLISH •KOREA •JAPANESE •VIETNAM
	Digital Zoom	10x
LED	Minimum Illumination	Color mode: 0.1 lx at F2.0 50IRE/30fps , B/W mode: 0.1 lx at F2.0 50IRE/30fps
Lens	Lens Type	2.9mm Lens with electronic Varifocal technology 2.8 -12mm Varifocal Lens (optional) , Auto focus
	Horizontal Viewing Angle	114°
	Vertical Viewing Angle	62°
	F-Number	F2.0
General	Manual Pan/ Rotation	Pan: 350°, Rotation: ±175°; Tilt: 0° - 60°
	Power Input	DC 12V ± 10% / 1000mA
	Power Consumption	DC 12V / 500mA
	Operating Temp.	-10 °C ~ +50 °C
	Storage Temp.	-25 °C ~ +60 °C
	Operating Humidity	Less than 90%
	Dimension	80(Φ) × 91.5(H) x 121(D)mm
	Weight	Approx. 480(g)
Hardware	Ethernet Interface	RJ-45 (10/100 BASE-T)
	Power	PoE (IEEE802.3af Class 0); 12vdc

Video	Video Compression	H.265 (High, Main, Base line profile), H.264(High, Main, Base line profile), MJPEG
	Resolution	1920x1080, 1600x900, 1280x720, 960x540, 640x480, 640x360, 320x184
	Max. Frame rate	30fps@1920 x 1080p
	Multi Streaming	Yes, H.264/H.265(High/Main/Baseline Profile)/ MJPEG Full duplex
	Image Analysis function	<b>Line cross:</b> Detect objects crossing the fence. <b>Field intrusion:</b> Detect objects appearing in prohibited areas. <b>Appear/ Disappear:</b> Detect objects appearing or disappearing from the observation areas.
Network Protocol	IP	IPv4, Ipv6
	Protocol	TCP, UDP, IPv4, IPv6, HTTP, HTTPS, FTP, UPnP, RTP/RTCP, RTSP, DHCP, ARP, Zeroconf, ICMP, IGMP*, DNS, NTP, SMTP, SNMP
	Streaming Method	RTP over RTSP, Unicast RTP, Multicast RTP
	ONVIF Conformance	Ver2.4
	DDNS Support	Yes
etc.	FTP Uploading	MJPEG Still Image
	Event In	Onboot/Trigger/Network Loss Tampering/Motion
	Event Notification	E-mail, FTP
	Login Authority	Administrator, Operator, Guest
	Event Buffering	FTP : Pre/Post Event Time: 0~30sec, FPS: 1~2 fps
	Manual Trigger	Still Image Capture
	Security	Multi User Authority, IP Filtering, HTTPS
	Network Time Sync	Synchronize Computer/NTP Server, Manual
	Web Browser	Microsoft Internet Explorer, Safari, Firefox, Chrome
	Auto Recovery	Backup, Restore
	Max. User Connection	10 Users
SDK Support	API, ONVIF Profile S Compliant	