

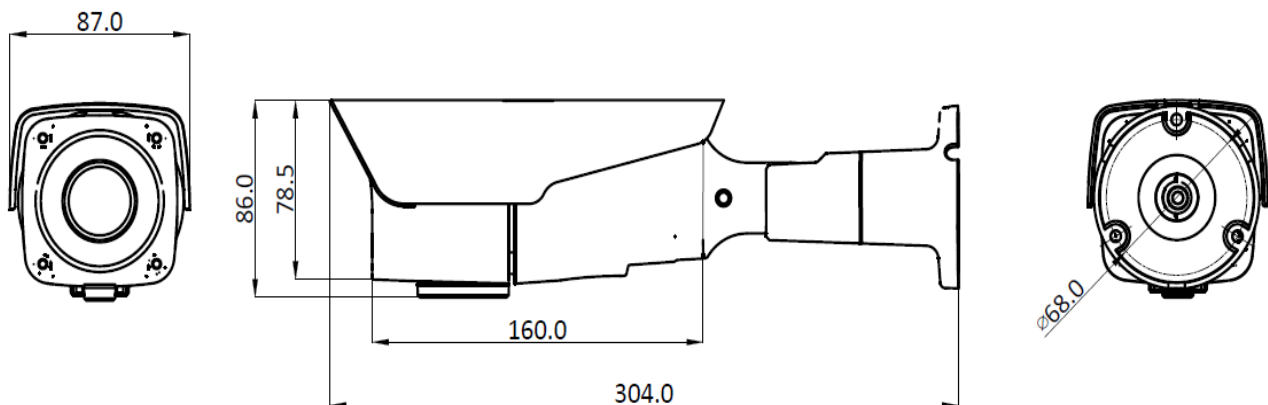
H.265 2.15M IP IR VANDAL DOME CAMERA - VVK-NB242FVIR

Key Features

- 1/2.8" Sony 2 MegaPixel RGB Image Sensor
- H.265/H.264 Video Compression
- Varifocal Lens 2.8~12mm DC Auto Iris Filter Removable(D)
- 1920x1080p@30fps
- VBR, CBR
- 2D, 3D DNR, DWDR(Digital-WDR), BLC
- Motion Detection Max. 4 Area
- Privacy Function 8 Programmable Zones
- IR LED 42PCS(850nm)
- PoE Support IEEE802.3af Class 0
- ONVIF Conformance Support
- IP66 Weather Proof
- Video Analysis



Dimension



Specification

MODEL		VVK-NB242FVIR
Camera	Image Device	Sony Exmor 1/2.8" Image Sensor
	Effective Pixels	(H)1960 x (V)1120 2.15 Mega Pixels
	Video Frame Rate	Up to 30fps@1920x1080p
	Scanning System	Progressive Scan
	Min. Illumination	Color Mode: 0.15 lx at 50IRE, B/W Mode: 0.09 lx at 50IRE
	Image Analysis	Detect objects moving in the opposite direction
		Detect objects appearing in prohibited areas
		Detects objects moving away from the observed area
	Day & Night	Automatic, Day, Night (Optical Observation)
	DNR	2DNR, 3DNR
	WDR	DOL True-WDR
	Electronics Shutter Speed	Automatic, Manual (1/10 ~ 1/10,000 sec)
	Gain Control	Min. 1.2dB ~ Max. 54dB, Default 1.2dB
	White Balance	ATW-Indoor/Outdoor, Shade, Clear sky, Fluorescent light, Flame, Manual
	Language	ENGLISH/ VIETNAMESE
	Digital Zoom	16x
	IR LED (Optional)	Visible 5mm Diameter(850nm, 30°) × 42pcs
	LENS	2.8~12mm Varifocal Lens
	Focal Length (Zoom Ratio)	2.8~12mm Motorized Zoom Lens, Auto focus
	Auto Focus	One Push, Manual, (Automatic)
Optical Zoom	Motorized 4.2x, Speed 1 ~ 6 Step	
Smart Motion Detection	Support. Max.4 Area Selection	
General	Operating Temperature	- 10 °C ~ +50 °C
	Current consumption	Max.1A power supply needed
	Dimension	87(W) × 86(H) x 160, with Bracket 304(L)mm
Hardware	Ethernet Interface	Ethernet 10/100 Base-T (RJ-45)
	PoE Support	IEEE802.3af Class 0
Video	Video Compression	H.264(High, Main, Base line profile)/H.265(High, Main, Base line profile), MJPEG
	Resolution	1920x1080(Full-HD), 1280x1024(SXGA), 1280x720(HD), 704x480(4CIF/NT), 704x576(4CIF/PAL), 640x480(VGA), 320x184(QVGA)
	Streaming	H.264/H.265(High/Main/Baseline Profile)/ MJPEG (Multi Streaming)/Full duplex, triple streaming
Network	Protocol	TCP, UDP, IPv4, IPv6, HTTP, HTTPS, FTP, UPnP, RTP/RTCP, RTSP, DHCP, ARP, Zeroconf, ICMP, IGMP*, DNS, NTP, SMTP, SNMP
	Streaming Method	RTP over RTSP, Unicast RTP, Multicast RTP
	Web Browser	Microsoft Internet Explorer, Firefox, Safari, Opera
	DDNS Support	Yes
etc.	FTP Uploading	MJPEG Still Image
	Event In	Onboot/Trigger/Network Loss/Tampering/Motion
	Event Out Notification	E-mail, FTP
	Login Authority	Administrator, Operator, Guest
	Event Buffering	FTP : Pre/Post Event Time: 0~30sec, FPS: 1~2 fps
	Manual Trigger	Still Image Capture
	Security	Multi User Authority, IP Filtering, HTTPS
	Network Time Sync	Synchronize Computer/NTP Server, Manual
	Software Reset	Restart, Reset, Factory Default
	Auto Recovery	Backup, Restore
	Max. User Connection	10 Users
	SDK Support	API, ONVIF Profile S Compliant

* Design and specifications are subject to change without notice.

www.vivako.com