

H.265 5M IP IR VANDAL DOME CAMERA

2.7~12mm Fixed Lens

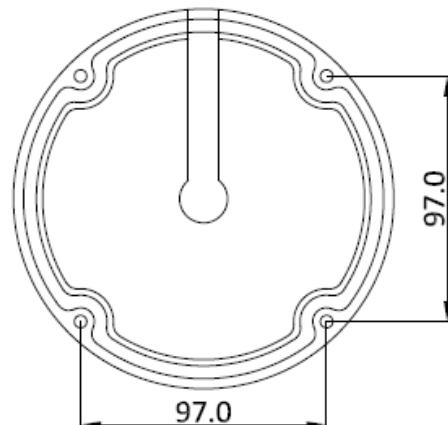
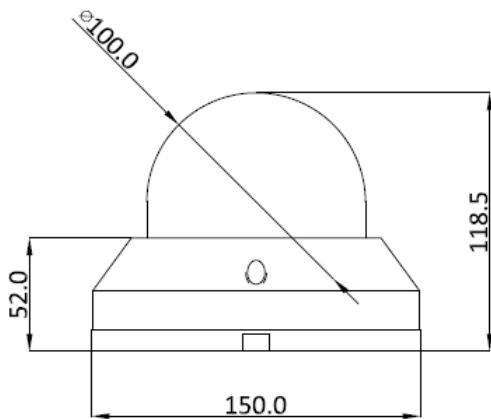
Image



Feature

- Sony Exmor CMOS 1/2.8" Image Sensor
- H.265/H.264 Video Compression
- Varifocal Lens 2.7~12mm DC Auto Iris Filter Removable(D)
- 2592x1944p@30fps
- VBR, CBR
- 2D, 3D DNR
- DOL True-WDR
- Motion Detection Max. 4 Area
- Privacy Function 8 Programmable Zones
- Motorized Zoom Lens – Option
- IR LED 32PCS(850nm)
- PoE Support IEEE802.3af Class 0
- ONVIF Conformance Support
- IP66 Weather Proof
- Two way Audio, Micro SD Slot(Optional)

Dimension



VVK-NV532FVIR

Specification

Camera		Network Protocol	
Image Device	Sony Exmor CMOS 1/2.8" Image Sensor	IP	IPv4
Effective Pixels	2704(H) x 2104(V) = 5.69 Mega Pixels	Protocol	TCP, UDP, IPv4, IPv6, HTTP, HTTPS, FTP, UPnP, RTP/RTCP, RTSP, DHCP, ARP, Zeroconf
S/N Ratio	51dB	Streaming Method	RTP over RTSP, Unicast RTP, Multicast RTP
Scanning System	Progressive Scan	ONVIF Conformance	Ver2.4
Privacy Zone	On / Off (8 Area Selection)	DDNS Support	Yes
Motion Detection	On / Off (4 Area Selection)	Alarm(Optional)	
Day & Night	Automatic, Day, Night	Input	1 EA (Contact)
DNR	2D-NR, 3D-NR	Output	1 EA (Relay Contact 1A 24VDC/0.5A 125VAC) – NO/NC Selection
WDR	DOL True-WDR	Ext.	
High Speed Shutter	Automatic: Min. 1/10,000 sec ~ Max. 1/30 sec Manual: Min. 1/10,000 sec ~ Max. 1/30 sec	FTP Uploading	MJPEG Still Image
Gain Control	Automatic: Min. 1.2dB ~ Max. 54dB Manual: Min. 1.2dB ~ Max. 54dB, Default 1.2dB	Event In	Onboot/Trigger/Network Loss/Tampering/ Motion
White Balance	ATW-Indoor/Outdoor, Shade, Clear sky, Fluorescent light, Flame, Manual	Event Out Notification	E-mail, FTP
Language	•ENGLISH •KOREA •JAPANESE •VIETNAM	Login Authority	Administrator, Operator, Guest
Digital Zoom	16x	Event Buffering	FTP : Pre/Post Event Time: 0~30sec, FPS: 1~2 fps
LED		Manual Trigger	Still Image Capture
Minimum Illumination	Color Mode: 0.15 lx at 50IRE/30fps , BW Mode: 0.09 lx at 50IRE/30fps	Security	Multi User Authority, IP Filtering, HTTPS
IR LED	Visible 5mm Diameter(850nm, 30°) × 32pcs	Network Time Sync	Synchronize Computer/NTP Server, Manual
Visibility Range	Indoor 25M / Outdoor 20M	Software Reset	Restart, Reset, Factory Default
Lens		Auto Recovery	Backup, Restore
Focal Length (Zoom Ratio)	2.7~12mm DC Auto Iris lens (Motorized zoom Lens is optional)	Max. User Connection	10 Users
Auto Focus (Optional)	One Push, Manual, (Automatic)	SD Card(Optional)	SDHC/SDXC – Optional
Optical Zoom (Optional)	Motorized 4.2x , Speed 1 ~ 6 Step	Alarm Control (Optional)	Alarm-In 1/Alarm-Out 1 - Optional
Lens Type	DC Auto Iris	SDK Support	API, ONVIF Profile S Compliant
Mount Type	Board Mount Type	※ Design and specifications are subject to change without notice.	
General			
Power Input	DC 12V ± 10% / 1000mA		
Power Consumption	DC 12V / 640mA		
Operating Temperature	-10 °C ~ +50 °C		
Storage Temperature	-20 °C ~ +60 °C		
Operating Humidity	Less than 90%		
Dimension	100(Φ) × 118.5(H) x 150(D)mm		
Weight	Approx. 1050(g)		
Hardware			
Ethernet Interface	RJ-45 (10/100 BASE-T)		
PoE Support	IEEE802.3af Class 0		
Video			
Video Compression	H.265 Main profile, H.264 (High, Main, Base line profile), MJPEG		
Resolution	2592x1944(QVGA), 2048x1536(QXGA), 1920x1440(Full-HD), 1600x1200, 1280x960(HD), 800x600, 640x480(VGA), 320x240(QVGA)		
Max. Framerate	Up to 30fps@2592x1944p Up to 30fps@2048x1536p		
Streaming	H.265 and MJPEG (Triple Streaming) Independent Frame Rate and Bandwidth Control, VBR/CBR Mode		
Audio(Optional)			
Audio Compression	Two way(G.711) - Optional		