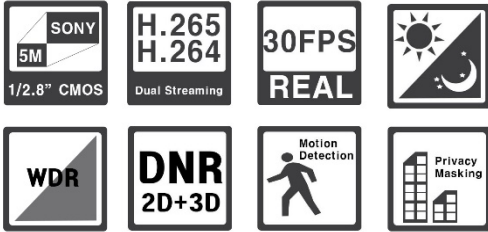


# H.265 5M IP IR BULLET CAMERA

2.7~12mm DC Auto Iris lens

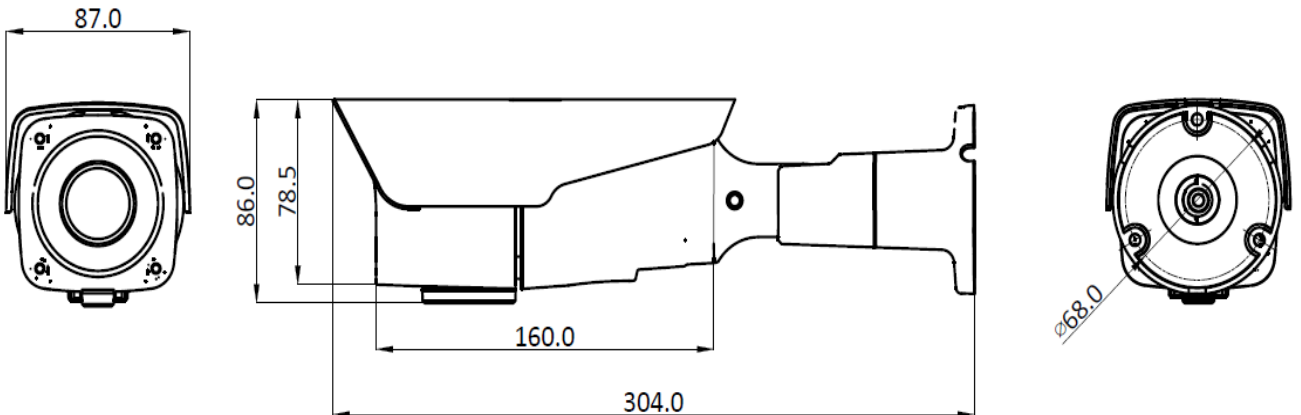
## Image



## Feature

- Sony Exmor CMOS 1/2.8" Image Sensor
- H.265/H.264 Video Compression
- Varifocal Lens 2.7~12mm DC Auto Iris Filter Removable(D)
- 2592x1944p@30fps
- VBR, CBR
- 2D, 3D DNR
- DOL True-WDR
- Motion Detection Max. 4 Area
- Privacy Function 8 Programmable Zones
- Motorized Zoom Lens – Option
- IR LED 42PCS(850nm)
- PoE Support IEEE802.3af Class 0
- ONVIF Conformance Support
- IP66 Weather Proof
- Two way Audio, Micro SD Slot(Optional)

## Dimension



# VVK-NB542FVIR

## Specification

Camera	
Image Device	Sony Exmor CMOS 1/2.8" Image Sensor
Effective Pixels	2704(H) x 2104(V) = 5.69 Mega Pixels
S/N Ratio	51dB
Scanning System	Progressive Scan
Privacy Zone	On / Off (8 Area Selection )
Motion Detection	On / Off ( 4 Area Selection )
Day & Night	Automatic, Day, Night
DNR	2D-NR, 3D-NR
WDR	DOL True-WDR
High Speed Shutter	Automatic: Min. 1/10,000 sec ~ Max. 1/30 sec Manual: Min. 1/10,000 sec ~ Max. 1/30 sec
Gain Control	Automatic: Min. 1.2dB ~ Max. 54dB Manual: Min. 1.2dB ~ Max. 54dB, Default 1.2dB
White Balance	ATW-Indoor/Outdoor, Shade, Clear sky, Fluorescent light, Flame, Manual
Language	•ENGLISH •KOREA •JAPANESE •VIETNAM
Digital Zoom	16x
LED	
Minimum Illumination	Color Mode: 0.15 lx at 50IRE/30fps , BW Mode : 0.09 lx at 50IRE/30fps
IR LED	Visible 5mm Diameter(850nm, 30° ) x 42pcs
Visibility Range	Indoor 35M / Outdoor 25M
Lens	
Focal Length (Zoom Ratio)	2.7~12mm DC Auto Iris lens (Motorized zoom Lens is optional)
Auto Focus (Optional)	One Push, Manual, (Automatic)
Optical Zoom (Optional)	Motorized 4.2x , Speed 1 ~ 6 Step
Lens Type	DC Auto Iris
Mount Type	Board Mount Type
General	
Power Input	DC 12V ± 10% / 1500mA
Power Consumption	DC 12V / 800mA
Operating Temperature	-10 °C ~ +50 °C
Storage Temperature	-20 °C ~ +60 °C
Operating Humidity	Less than 90%
Dimension	87(W) × 86(H) x 160, with Bracket 304(L)mm
Weight	Approx. 870(g)
Hardware	
IP	RJ-45 (10/100 BASE-T)
Protocol	IEEE802.3af Class 0
Video	
Video Compression	H.265 Main profile, H.264 (High, Main, Base line profile), MJPEG
Resolution	2592x1944(QVGA), 2048x1536(QXGA), 1920x1440(Full-HD), 1600x1200, 1280x960(HD), 800x600, 640x480(VGA), 320x240(QVGA)
Max. Framerate	Up to 30fps@2592x1944p Up to 30fps@2048x1536p
Streaming	H.265 and MJPEG (Triple Streaming) Independent Frame Rate and Bandwidth Control, VBR/CBR Mode

Audio(Optional)	
Audio Compression	Two way(G.711) - Optional
Alarm(Optional)	
Input	1 EA ( Contact )
Output	1 EA (Relay Contact 1A 24VDC/0.5A 125VAC) – NO/NC Selection
Network Protocol	
IP	IPv4
Protocol	TCP/IP, UDP, IPv4/v6, HTTP, HTTPS, FTP, UPnP, RTP, RTSP, RTCP, DHCP, ARP, Zeroconf
Streaming Method	RTP over RTSP, Unicast RTP, Multicast RTP
ONVIF Conformance	Ver2.4
DDNS Support	Yes
Etc.	
FTP Uploading	MJPEG Still Image
Event In	Onboot/Trigger/Network Loss/Tampering/ Motion
Event Out Notification	E-mail, FTP
Login Authority	Administrator, Operator, Guest
Event Buffering	FTP : Pre/Post Event Time: 0~30sec, FPS: 1~2 fps
Manual Trigger	Still Image Capture
Security	Multi User Authority, IP Filtering, HTTPS
Network Time Sync	Synchronize Computer/NTP Server, Manual
Software Reset	Restart, Reset, Factory Default
Auto Recovery	Backup, Restore
Max. User Connection	10 Users
SD Card(Optional)	SDHC/SDXC – Optional
Alarm Control (Optional)	Alarm-In 1/Alarm-Out 1 - Optional
SDK Support	API, ONVIF Profile S Compliant

※ Design and specifications are subject to change without notice.