

H.265 2M IP IR VANDAL DOME CAMERA

2.8~12mm Varifocal Lens

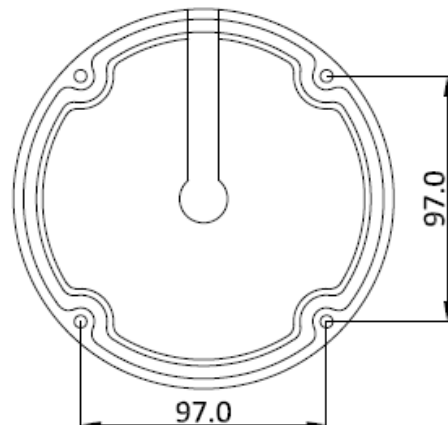
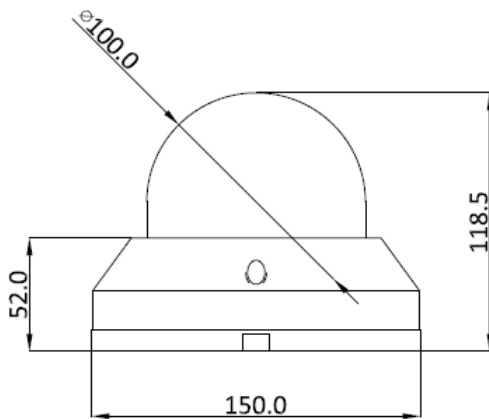
Image



Feature

- Sony Exmor CMOS 1/2.8" Image Sensor
- H.265/H.264 Video Compression
- Varifocal Lens 2.8~12mm DC Auto Iris Filter Removable(D)
- 1920x1080p@30fps
- VBR, CBR
- 2D, 3D DNR
- DOL True-WDR
- Motion Detection Max. 4 Area
- Privacy Function 8 Programmable Zones
- IR LED 32PCS(850nm)
- PoE Support IEEE802.3af Class 0
- ONVIF Conformance Support
- IP66 Weather Proof
- Two way Audio, Micro SD Slot(Optional)

Dimension



VVK-NV232FVIR

Specification

Camera	
Image Device	Sony Exmor CMOS 1/2.8" Image Sensor
Effective Pixels	1,945(H) x 1,097(V) approx. 2.13M pixels
S/N Ratio	51dB
Scanning System	Progressive Scan
Privacy Zone	On / Off (8 Area Selection)
Motion Detection	On / Off (4 Area Selection)
Day & Night	Automatic, Day, Night
DNR	2D-NR, 3D-NR
WDR	DOL True-WDR
High Speed Shutter	Automatic: Min. 1/10,000 sec ~ Max. 1/30 sec Manual: Min. 1/10,000 sec ~ Max. 1/30 sec
Gain Control	Min. 1.2dB ~ Max. 54dB , Default 1.2dB
White Balance	ATW-Indoor/Outdoor, Shade, Clear sky, Fluorescent light, Flame, Manual
Language	•ENGLISH •KOREA •JAPANESE •VIETNAM
Digital Zoom	10x
LED	
Minimum Illumination	Color Mode: 0.15 lx at 50IRE/30fps , BW Mode: 0.09 lx at 50IRE/30fps
IR LED	Visible 5mm Diameter(850nm, 30°) x 32pcs
Visibility Range	Indoor 25M / Outdoor 20M
Lens	
Focal Length (Zoom Ratio)	2.8~12mm Varifocal Lens
Auto Focus (Optional)	One Push, Manual, (Automatic)
Optical Zoom (Optional)	Motorized 4.2x , Speed 1 ~ 6 Step
Lens Type	DC Auto Iris
Mount Type	Board Mount Type
General	
Power Input	DC 12V ± 10% / 1000mA
Power Consumption	DC 12V / 640mA
Operating Temperature	-10 °C ~ +50 °C
Storage Temperature	-20 °C ~ +60 °C
Operating Humidity	Less than 90%
Dimension	100(Φ) x 118.5(H) x 150(D)mm
Weight	Approx. 1050(g)
Hardware	
Ethernet Interface	RJ-45 (10/100 BASE-T)
PoE Support	IEEE802.3af Class 0
Alarm(Optional)	
Input	1 EA (Contact)
Output	1 EA (Relay Contact 1A 24VDC/0.5A 125VAC) – NO/NC Selection
Video	
Video Compression	H.265 Main profile, H.264 (High, Main, Base line profile), MJPEG
Resolution	1920x1080(Full-HD), 1600x900(SXGA), 1280x720(HD), 960x540(4CIF/NT), 640x360(VGA), 320x180(QVGA)
Max. Framerate	Up to 30fps@1920 x 1080p
Streaming	H.264/H.265(High/Main/Baseline Profile)/ MJPEG (Multi Streaming)/Full duplex, triple streaming
Audio(Optional)	
Audio Compression	Two way(G.711) - Optional

Network Protocol	
IP	IPv4
Protocol	TCP, UDP, IPv4, IPv6, HTTP, HTTPS, FTP, UPnP, RTP/RTCP, RTSP, DHCP, ARP, Zeroconf ICMP, IGMP*, DNS, NTP, SMTP, SNMP
Streaming Method	RTP over RTSP, Unicast RTP, Multicast RTP
ONVIF Conformance	Ver2.4
DDNS Support	Yes
Etx.	
FTP Uploading	MJPEG Still Image
Event In	Onboot/Trigger/Network Loss/Tampering/ Motion
Event Out Notification	E-mail, FTP
Login Authority	Administrator, Operator, Guest
Event Buffering	FTP : Pre/Post Event Time: 0~30sec, FPS: 1~2 fps
Manual Trigger	Still Image Capture
Security	Multi User Authority, IP Filtering, HTTPS
Network Time Sync	Synchronize Computer/NTP Server, Manual
Software Reset	Restart, Reset, Factory Default
Auto Recovery	Backup, Restore
Max. User Connection	10 Users
SD Card(Optional)	SDHC/SDXC – Optional
Alarm Control (Optional)	Alarm-In 1/Alarm-Out 1 - Optional
SDK Support	API, ONVIF Profile S Compliant

※ Design and specifications are subject to change without notice.