

# H.265 2M IP IR VANDAL DOME CAMERA

## 3.6mm Fixed Lens

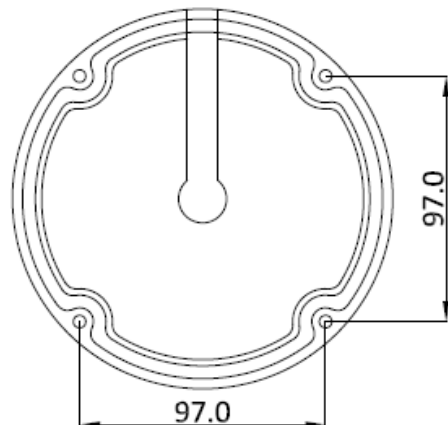
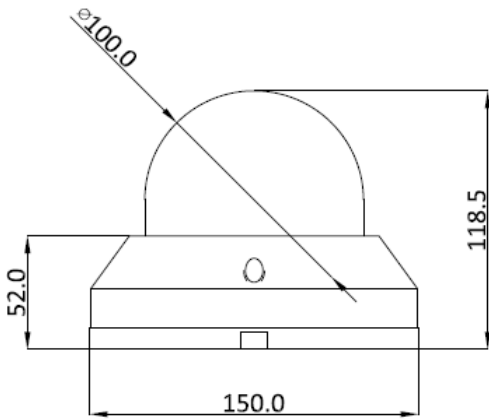
### Image



### Feature

- Sony Exmor CMOS 1/2.8" Image Sensor
- H.265/H.264 Video Compression
- 3.6mm Fixed Lens with ICR
- 1920x1080p@30fps
- VBR, CBR
- 2D, 3D DNR
- DOL True-WDR
- Motion Detection Max. 4 Area
- Privacy Function 8 Programmable Zones
- IR LED 32PCS(850nm)
- PoE Support IEEE802.3af Class 0
- ONVIF Conformance Support
- IP66 Weather Proof
- Two way Audio, Micro SD Slot(Optional)

### Dimension



# VVK-NV232FIR

## Specification

| Camera                |   |
|-----------------------|---|
| Image Device          | Sony Exmor CMOS 1/2.8" Image Sensor   |
| Effective Pixels      | 1,945(H) x 1,097(V) approx. 2.13M pixels  |
| S/N Ratio             | 51dB  |
| Scanning System       | Progressive Scan  |
| Privacy Zone          | On / Off ( 8 Area Selection )   |
| Motion Detection      | On / Off ( 4 Area Selection )   |
| Day & Night           | Automatic, Day, Night   |
| DNR                   | 2D-NR, 3D-NR  |
| WDR                   | DOL True-WDR  |
| High Speed Shutter    | Automatic: Min. 1/10,000 sec ~ Max. 1/30 sec<br>Manual: Min. 1/10,000 sec ~ Max. 1/30 sec       |
| Gain Control          | Min. 1.2dB ~ Max. 54dB , Default 1.2dB  |
| White Balance         | ATW-Indoor/Outdoor, Shade, Clear sky, Fluorescent light, Flame, Manual                          |
| Language              | •ENGLISH •KOREA •JAPANESE •VIETNAM  |
| Digital Zoom          | 10x   |
| LED                   |   |
| Minimum Illumination  | Color Mode: 0.15 lx at 50IRE/30fps ,<br>BW Mode: 0.09 lx at 50IRE/30fps                         |
| IR LED                | Visible 5mm Diameter(850nm, 30° ) × 32pcs   |
| Visibility Range      | Indoor 25M / Outdoor 20M  |
| Lens Type             | 3.6mm Fixed Lens  |
| Mount Type            | Board Mount Type  |
| General               |   |
| Power Input           | DC 12V ± 10% / 1000mA   |
| Power Consumption     | DC 12V / 500mA  |
| Operating Temperature | -10 °C ~ +50 °C   |
| Storage Temperature   | -20 °C ~ +60 °C   |
| Operating Humidity    | Less than 90%   |
| Dimension             | 100(Φ) × 118.5(H) x 150(D)mm  |
| Weight                | Approx. 1050(g)   |
| Hardware              |   |
| Ethernet Interface    | RJ-45 (10/100 BASE-T)   |
| PoE Support           | IEEE802.3af Class 0   |
| Alarm(Optional)       |   |
| Input                 | 1 EA ( Contact )  |
| Output                | 1 EA (Relay Contact 1A 24VDC/0.5A 125VAC) – NO/NC Selection                                     |
| Video                 |   |
| Video Compression     | H.265 Main profile, H.264 (High, Main, Base line profile), MJPEG                                |
| Resolution            | 1920x1080(Full-HD), 1600x900(SXGA), 1280x720(HD), 960x540(4CIF/NT), 640x360(VGA), 320x180(QVGA) |
| Max. Framerate        | Up to 30fps@1920 x 1080p  |
| Streaming             | H.264/H.265(High/Main/Baseline Profile)/ MJPEG (Multi Streaming)/Full duplex, triple streaming  |
| Audio(Optional)       |   |
| Audio Compression     | Two way(G.711) - Optional   |

| Network Protocol         |   |
|--------------------------|---|
| IP                       | IPv4  |
| Protocol                 | TCP, UDP, IPv4, IPv6, HTTP, HTTPS, FTP, UPnP, RTP/RTCP, RTSP, DHCP, ARP, Zeroconf ICMP, IGMP*, DNS, NTP, SMTP, SNMP |
| Streaming Method         | RTP over RTSP, Unicast RTP, Multicast RTP   |
| ONVIF Conformance        | Ver2.4  |
| DDNS Support             | Yes   |
| Etx.                     |   |
| FTP Uploading            | MJPEG Still Image   |
| Event In                 | Onboot/Trigger/Network Loss/Tampering/ Motion   |
| Event Out Notification   | E-mail, FTP   |
| Login Authority          | Administrator, Operator, Guest  |
| Event Buffering          | FTP : Pre/Post Event Time: 0~30sec, FPS: 1~2 fps  |
| Manual Trigger           | Still Image Capture   |
| Security                 | Multi User Authority, IP Filtering, HTTPS   |
| Network Time Sync        | Synchronize Computer/NTP Server, Manual   |
| Software Reset           | Restart, Reset, Factory Default   |
| Auto Recovery            | Backup, Restore   |
| Max. User Connection     | 10 Users  |
| SD Card(Optional)        | SDHC/SDXC – Optional  |
| Alarm Control (Optional) | Alarm-In 1/Alarm-Out 1 - Optional   |
| SDK Support              | API, ONVIF Profile S Compliant  |

※ Design and specifications are subject to change without notice.