

H.265 5M IP IR BULLET CAMERA

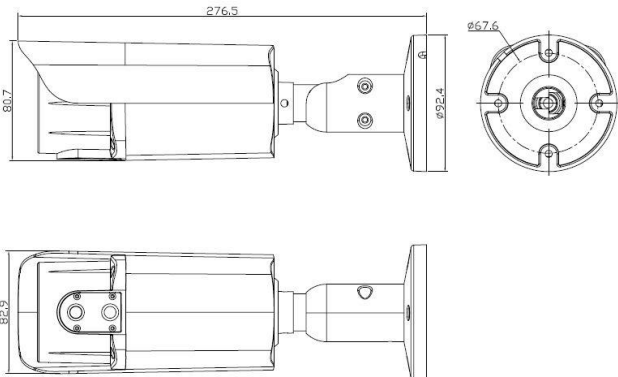
VVK-NB530VZIR



Feature

- 1/2.8" 5.69M Sony Image Sensor IMX335
- 2.7-13.5mm DC Auto Iris Filter Removable
- Motorized Zoom Lens
- Digital Noise Reduction -2D,3D, WDR
- Privacy Zone, Motion Detection
- D-fog
- 20 pcs Array IR LEDs, IR distance 50 meters
- PoE support IEEE802.3af
- ONVIF Profile S
- IP67, IK10

Dimension



Specification

Camera	
Image Sensor	1/2.7" 5.69M Sony Image Sensor IMX335
Effective Pixels	2704(H) X 2104(V), 5.69 Mega Pixels
Scanning System	Progressive Scan
Privacy Mask	On / Off (4 Area Selection)
Motion Detection	On / Off
Auto Gain Control	Auto
Electronic Shutter	Automatic: Min. Manual: Min. 1/30 sec~Max. 1/30,000 sec
FOV	Horizontal FOV: 114°, Vertical FOV: 62°, diagonal FOV: 135°
IR LED	20 pcs Array IR LEDs
WDR	DOL True-WDR, 120dB
White Balance	Manual / Auto / Daylight / Cloudy / Tungsten / Sunset
IR Visibility Range	50M
Lens Type	2.7-13.5mm Motorized lens, auto Focus
S/N	50dB
Minimum illumination	Color: 0.005 Lux @(F1.2, AGC ON), 0 Lux with IR
Power Supply	DC 12V ± 10% / 1.0A, 8W
Operating Temp.	-30 °C ~ +60 °C
Operating Humidity	95%, non (Non-condensing)
Dimension	82.9(W) × 80.7(H) × 276.5(D)mm
Weight	Approx. 840(g)

Hardware

Ethernet Interface	1 x RJ-45 (10/100 BASE-T)
PoE Support	IEEE 802.3af

Alarm(Optional)

In / Out	1 TTL inputs and 1 TTL output
----------	-------------------------------

Video

Resolution	2592x1944 (5M), 2592x1520 (4M), 2592x1458 (3.8M), 2304x1296 (3M), 1920x1080 (HD1080), 1280x720 (H720), 854x480 (WVGA), 640x480 (VGA),
Max. Frame rate	Up to 30fps@2592x1944p
Video Compression	H265, H264, Motion JPEG

Audio(Optional)

Audio	Line In / Line Out
-------	--------------------

General

IP	IPv4
Protocol	TCP/IP, ICMP, HTTP, HTTPS, FTP, DHCP, DNS, DDNS, RTP, RTSP, RTCP, PPPoE, NTP, UPnP™, SMTP, SNMP, IGMP, 802.1X, QoS, IPv6, UDP, Bonjour, SSL/TLS
ONVIF	Yes

※ Design and specifications are subject to change without notice.